

Rotule SA

BEM1-2-20-501-DURBAL - BEM1-2-20-501-DURBAL

<https://www.123roulement.be/roulement-palier/rotule/sa/bem1-2-20-501-durbal>

BEM1/2-20-501



male thread; maintenance free; dimensions in inches

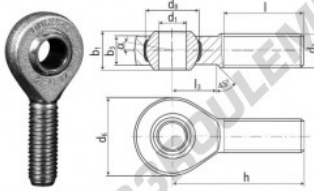
DURBAL® heavy-duty rod ends with integral spherical plain bearing

rod end housing: forged steel, tempered, rolled thread, surface galvanized, free of Cr VI

joint ball: ball bearing steel, hardened and ground, surface superfinished and chromium plated

race: nylon / teflon / glass fibre compound

tolerances: see page 10



order number		measurements [inches]						
type	right hand thread / left hand thread	d ₁	d ₂ class 2	d ₃	d ₄	h ₁	l ₃	
BEM 1/2 -20	-501	.500	5000-20 UNF	1.311	.876	.624	.472	
		measurements [inches]				weight	basic load rating	
type	h	l	l ₃	α ₁ [°] [°]	α ₂ [°] [°]	[kg]	dyn. [N]	stat. [kN]
BEM 1/2	2.460	1.500	.846	13,0	9,5	0,109	14649	36624

CARACTÉRISTIQUES PRODUIT

Marque	DURBAL
N° Ean13	3663952510422
Diam. intérieur	12.7 mm
Diam. extérieur	33.3 mm
Épaisseur	15.85 mm
Type	SA
Poids	109 g
Filetage	Filetage à droite
Lubrification	sans
Conditionnement	1

contact@123roulement.be

02 808 18 02

CRT4 de Lesquin 60 Rue Du Haut De Sainghin 59273 Fretin FRANCE