

Rotule SI

SI50-ES-2RS-DURBAL - SI50-ES-2RS-DURBAL

<https://www.123roulement.be/roulement-palier/rotule/si/si50-es-2rs-durbal>

SI50-ES-2RS



female thread;
lubrication
required,
according to
DIN ISO 12240-4;
serie E

Description: DIN ISO rod end E series. Made of spherical plain bearing DGE...E (ES) pressed into rod end body. Sliding combination steel / steel. Maintenance necessary. Bore diameter $d \geq 15$ with grease nipple in rod end body and lubrication groove and hole in inner and outer ring. Bore diameter $d \geq 15$ type DSL...ES-2RS with additional seals also available.

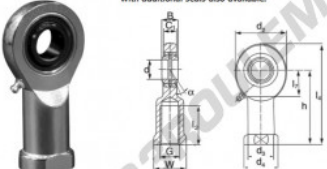
Rod end body:
surface zinc plated

Sliding combination:
steel / steel

Inner ring:
bearing steel, hardened, ground and phosphated

Outer ring:
bearing steel, hardened, ground and phosphated

Lubrication:
lubrication required



order number	right hand thread	left hand thread	measurement (mm)					
d	G	B	C1	d2	d3	d4	W	
SI 50 ES (-2RS)	50	M 45 x 3	35	30,0	112	62,0	75	

type	measurement [mm]			α [°]	load rating C_0 [kN]	weight [kg]
	l_1 min	W	h			
SI / SIL 50 ES (-2RS)	68	65	160	6	290,0	3,5

CARACTÉRISTIQUES PRODUIT

Marque	DURBAL
N° Ean13	3663952497549
Diam. intérieur	50 mm
Diam. extérieur	112 mm
Epaisseur	35 mm
Type	SI
Poids	3500 g
Filetage	Filetage à droite
Lubrification	avec
Conditionnement	1

contact@123roulement.be

02 808 18 02

CRT4 de Lesquin 60 Rue Du Haut De Sainghin 59273 Fretin FRANCE