

## Rotule SI SI40-ES-DURBAL - SI40-ES-DURBAL

<https://www.123roulement.be/roulement-palier/rotule/si/si40-es-durbal>

### SI40-ES



**female thread; lubrication required, according to DIN ISO 12240-4; serie E**

**Description:** DIN ISO rod end E series. Made of spherical plain bearing DGL...E (ES) pressed into rod end body. Sliding combination steel / steel. Maintenance necessary. Bore diameter  $d \geq 15$  with grease nipple in rod end body and lubrication groove and hole in inner and outer ring. Bore diameter  $d \geq 15$  type DSL...ES-2RS with additional seals also available.

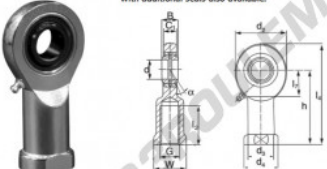
**Rod end body:** surface zinc plated

**Sliding combination:** steel / steel

**Inner ring:** bearing steel, hardened, ground and phosphated

**Outer ring:** bearing steel, hardened, ground and phosphated

**Lubrication:** lubrication required



order number	right hand thread	left hand thread	d	G	B	C1	d2	d3	d4
SI 40 ES			40	M 39 x 3	28	23,0	92	52,0	65

type	l1 min	W	h	$\alpha$ [°]	load rating C0 (kN)	weight (kg)
SI / SI40 ES	65	55	142	7	180,0	2,0

## CARACTÉRISTIQUES PRODUIT

Marque	DURBAL
N° Ean13	3663952497396
Diam. intérieur	40 mm
Diam. extérieur	92 mm
Épaisseur	28 mm
Type	SI
Poids	2000 g
Filetage	Filetage à droite
Lubrification	avec
Conditionnement	1

[contact@123roulement.be](mailto:contact@123roulement.be)

02 808 18 02

CRT4 de Lesquin 60 Rue Du Haut De Sainghin 59273 Fretin FRANCE