

Rotule SA

DSAZPL25-S-DURBAL - DSAZPL25-S-DURBAL

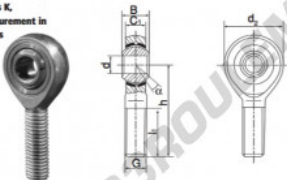
<https://www.123roulement.be/roulement-palier/rotule/sa/dsazpl25-s-durbal>

DSAZPL25-S



male thread:
lubrication
required,
similar to
DIN ISO 12240-4:
series R,
measurement in
inches

Description: DIN ISO rod end K series. Dimensions in inch. Sliding combination steel / heavy duty bronze. With grease nipple.



Rod end body:
surface zinc plated

Sliding combination:
steel / heavy duty bronze

Inner ring:
bearing steel, hardened, ground and
spherical surface chromium plated

Outer ring:
heavy duty bronze with lubrication

Lubrication:
lubrication required, with grease nipple

order number	d	G	measurement [mm]		
right hand thread	left hand thread		B	C ₁	d ₂
DSAZPL 25 S	25,40	5/16 - 12	34,93	25,40	69,85

type	inches	measurement [mm]		α	load rating	weight
		l ₁ min	h	[°]	C ₀ [kN]	[kg]
DSAZP / DSAZPL 25 S	1"	53,98	104,78	14	101,0	1,100

CARACTÉRISTIQUES PRODUIT

Marque	DURBAL
N° Ean13	3663952496320
Diam. intérieur	25.4 mm
Diam. intérieur	1" inch
Diam. extérieur	69.85 mm
Diam. extérieur	2 3/4" inch
Epaisseur	34.93 mm
Epaisseur	1 3/8" inch
Type	SA
Poids	1100 g
Filetage	Filetage à gauche
Lubrification	sans
Conditionnement	1

contact@123roulement.be

02 808 18 02

CRT4 de Lesquin 60 Rue Du Haut De Sainghin 59273 Fretin FRANCE