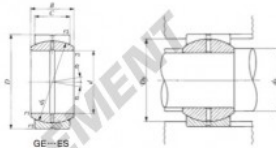


Rotule GE GE300ES-IKO - GE300ES-IKO

<https://www.123roulement.be/roulement-palier/rotule/ge/ge300es-iko>

IKO
SPHERICAL BUSHINGS
Steel-on-steel Spherical Bushings



| Shaft dia. mm | Identification number | | Mass (Ref.) kg | Boundary dimensions mm | | | | | | Permissible tilting angle degree | | |
|---------------------------|-----------------------|--|----------------------|---|-----|------------|-----|----------------|--|--|---|----------------|
| | Without seals | With seals | | d | D | B | C | d _s | r ₁ ⁽¹⁾ r _{1s} min | r ₂ ⁽¹⁾ r _{2s} min | α | α ₁ |
| 300 | GE 300ES | | 76.0 | 300 | 430 | 165 | 120 | 375 | 1.1 | 1.1 | 7 | 6 |
| Mounting dimensions mm | | Dynamic load capacity C _d | | Static load capacity C _s | | | | | | | | |
| d _s | D _s | | | | | | | | | | | |
| Min. | Max. ⁽²⁾ | Min. | N | N | | | | | | | | |
| 307 | 336.5 | 423 | 371 | 4 410 000 | | 26 500 000 | | | | | | |

Notes⁽¹⁾ Minimum allowable value of chamfer dimensions r₁ and r₂.
⁽²⁾ When Spherical Bushings are used with full tilting angle, the shaft shoulder dimension must be less than the maximum value of d_s.
 Remark: 1. The inner ring and the outer ring have an oil groove and two oil holes, respectively.
 2. Not provided with prepacked grease. Perform proper lubrication for use.

CARACTÉRISTIQUES PRODUIT

| | |
|-----------------|---------------|
| Marque | IKO |
| N° Ean13 | 3663952392165 |
| Diam. intérieur | 300 mm |
| Diam. extérieur | 430 mm |
| Épaisseur | 165 mm |
| Type | GE |
| Lubrification | sans |
| Conditionnement | 1 |

contact@123roulement.be

02 808 18 02

CRT4 de Lesquin 60 Rue Du Haut De Sainghin 59273 Fretin FRANCE