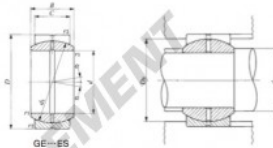


Rotule GE GE120ES-IKO - GE120ES-IKO

<https://www.123roulement.be/roulement-palier/rotule/ge/ge120es-iko>

IKO
SPHERICAL BUSHINGS
Steel-on-steel Spherical Bushings



Shaft dia. mm	Identification number		Mass (Ref.) kg	Boundary dimensions mm						Permissible tilting angle degree		
	Without seals	With seals		d	D	B	C	d _s	r ₁ ⁽¹⁾ r _{1a} min	r ₂ ⁽¹⁾ r _{2a} min	α	α ₁
120	GE 120ES		8.12	120	180	85	70	160	1	1	6	4
Mounting dimensions mm		Dynamic load capacity C _d		Static load capacity C _s								
d _s		D _s		N								
Min.	Max. ⁽²⁾	Max.	Min.									
125.5	135.5	174.5	154	1 100 000		6 500 000						

Notes⁽¹⁾ Minimum allowable value of chamfer dimensions r₁ and r₂.
⁽²⁾ When Spherical Bushings are used with full tilting angle, the shaft shoulder dimension must be less than the maximum value of d_s.
Remark: 1. The inner ring and the outer ring have an oil groove and two oil holes, respectively.
2. Not provided with prepacked grease. Perform proper lubrication for use.

CARACTÉRISTIQUES PRODUIT

Marque	IKO
N° Ean13	3663952391991
Diam. intérieur	120 mm
Diam. extérieur	180 mm
Epaisseur	85 mm
Type	GE
Poids	8075 g
Lubrification	sans
Conditionnement	1

contact@123roulement.be

02 808 18 02

CRT4 de Lesquin 60 Rue Du Haut De Sainghin 59273 Fretin FRANCE