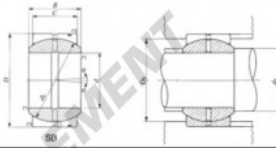


## Rotule GE SB120190105-IKO - SB120190105-IKO

<https://www.123roulement.be/roulement-palier/rotule/ge/sb120190105-iko>

**IKO**  
**SPHERICAL BUSHINGS**  
Steel-on-steel Spherical Bushings



Shaft dia. mm	Identification number	Mass (Ref.) kg	Boundary dimensions mm					Permissible tilting angle degree	
			d	D	B	C	d <sub>k</sub> (1)		
120	SB 120190105	12.4	120	190	105	90	175	1	5
Mounting dimensions mm		Dynamic load capacity C <sub>d</sub>		Static load capacity C <sub>s</sub>					
d <sub>s</sub>	D <sub>s</sub>	C <sub>d</sub>	C <sub>s</sub>						
Min. Max.(2)	Max. Min.	N	N						
125.5 140	184.5 162	1 540 000	9 270 000						

Notes (1) Minimum allowable value of chamfer dimensions r<sub>1</sub> and r<sub>2</sub>.  
(2) When Spherical Bushings are used with full tilting angle, the shaft shoulder dimension must be less than the maximum value of d<sub>s</sub>.  
Remark 1. The inner ring and the outer ring have an oil groove and two oil holes, respectively.  
2. Not provided with prepacked grease. Perform proper lubrication for use.

### CARACTÉRISTIQUES PRODUIT

Marque	IKO
N° Ean13	3663952391595
Diam. intérieur	120 mm
Diam. extérieur	190 mm
Épaisseur	105 mm
Type	GE
Lubrification	sans
Conditionnement	1

[contact@123roulement.be](mailto:contact@123roulement.be)

02 808 18 02

CRT4 de Lesquin 60 Rue Du Haut De Sainghin 59273 Fretin FRANCE