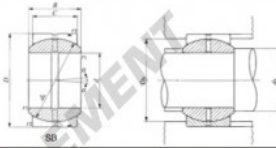


Rotule GE SB11518098-IKO - SB11518098-IKO

<https://www.123roulement.be/roulement-palier/rotule/ge/sb11518098-iko>

IKO
SPHERICAL BUSHINGS
Steel-on-steel Spherical Bushings



Shaft dia. mm	Identification number	Mass. (Ref.) kg	Boundary dimensions mm						Permissible tilting angle degree α
			d	D	B	C	d_k	r_1 ⁽¹⁾ mm	
115	SB 11518098	10.3	115	180	98	85	165	1	5
Mounting dimensions mm		Dynamic load capacity		Static load capacity					
d_s		C_d		C_s					
Min.	Max. ⁽²⁾	Min.	N	Min.	N				
120.5	132.5	174.5	152	1 380 000	8 250 000				

Notes ⁽¹⁾ Minimum allowable value of chamfer dimensions r_1 and r_2 .
⁽²⁾ When Spherical Bushings are used with full tilting angle, the shaft shoulder dimension must be less than the maximum value of d_s .
Remark 1. The inner ring and the outer ring have an oil groove and two oil holes, respectively.
2. Not provided with prepacked grease. Perform proper lubrication for use.

CARACTÉRISTIQUES PRODUIT

Marque	IKO
N° Ean13	3663952391571
Diam. intérieur	115 mm
Diam. extérieur	180 mm
Épaisseur	98 mm
Type	GE
Lubrification	sans
Conditionnement	1

contact@123roulement.be

02 808 18 02

CRT4 de Lesquin 60 Rue Du Haut De Sainghin 59273 Fretin FRANCE