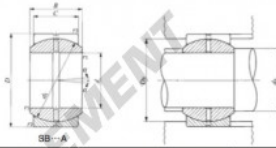


Rotule GE SB95A-IKO - SB95A-IKO

<https://www.123roulement.be/roulement-palier/rotule/ge/sb95a-iko>

IKO
SPHERICAL BUSHINGS
Steel-on-steel Spherical Bushings



Shaft dia. mm	Identification number	Mass (Ref.) kg	Boundary dimensions mm					Permissible tilting angle degree		
			d	D	B	C	d _k ⁽¹⁾			
95	SB 95A	6.05	95	150	82	70	140	0.6	5	
Mounting dimensions mm		Dynamic load capacity C _d N	Static load capacity C _s N							
d _s Min.	Max. ⁽²⁾		D _s Min.							
99.5	113.5	145.5	130	961 000	5 770 000					

Notes ⁽¹⁾ Minimum allowable value of chamfer dimensions r₁ and r₂.
⁽²⁾ When Spherical Bushings are used with full tilting angle, the shaft shoulder dimension must be less than the maximum value of d_s.
Remark 1. The inner ring and the outer ring have an oil groove and two oil holes, respectively.
2. Not provided with prepacked grease. Perform proper lubrication for use.

CARACTÉRISTIQUES PRODUIT

Marque	IKO
N° Ean13	3663952391502
Diam. intérieur	95 mm
Diam. extérieur	150 mm
Épaisseur	82 mm
Type	GE
Lubrification	sans
Conditionnement	1

contact@123roulement.be

02 808 18 02

CRT4 de Lesquin 60 Rue Du Haut De Sainghin 59273 Fretin FRANCE