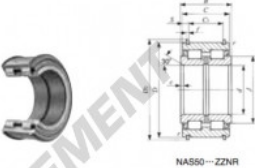


## Roulement à aiguilles NAS5020-ZZ-NR-IKO - NAS5020-ZZ-NR-IKO

<https://www.123roulement.be/roulement-palier/roulement-aiguilles/aiguilles/nas5020-zz-nr-iko>

**IKO**  
**ROLLER BEARINGS**  
Roller Bearings for Sheaves



Shaft dia. mm	Identification number		Mass (Ref.) kg	Boundary dimensions mm						
	Sealed type	Shield type		d	D	D <sub>2</sub>	B	C	C <sub>1</sub>	S
100		NAS 5020ZZNR	4.05	100	150	155.4	67	66	54	6

f	c	r <sub>s</sub> mm <sup>(1)</sup>	J <sub>r</sub>	Basic dynamic load rating C N	Basic static load rating C <sub>0</sub> N	Allowable rotational speed <sup>(2)</sup> rpm
2.5	2.5	0.6	118	318 000	584 000	1 000

Notes<sup>(1)</sup> Minimum allowable value of chamfer dimension r.  
<sup>(2)</sup> Allowable rotational speed applies to grease lubrication. Considering that the axial load acts under practical operating conditions, up to 1/10 of this value is recommended for actual use.  
Remarks: 1. The NAS and NAU series with a bore diameter, d, of 17 mm or less have no oil hole. In others, the outer ring has an oil groove and two oil holes.  
2. The bearings with seals are provided with prepacked grease.

### CARACTÉRISTIQUES PRODUIT

Marque	IKO
N° Ean13	3663952386980
Diam. intérieur	100 mm
Diam. extérieur	150 mm
Épaisseur	67 mm
Conditionnement	1

[contact@123roulement.be](mailto:contact@123roulement.be)

02 808 18 02

CRT4 de Lesquin 60 Rue Du Haut De Sainghin 59273 Fretin FRANCE