


Roulement à aiguilles NAU4922-UU-IKO - NAU4922-UU-IKO

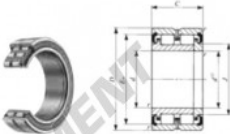
<https://www.123roulement.be/roulement-palier/roulement-aiguilles/aiguilles/nau4922-uu-iko>



ROLLER BEARINGS

Caged Roller Bearings **[With Seal]**

Full Complement Roller Bearings **[With Seal]**



Shaft dis. mm	Identification number		Mass (Ref.) g	Boundary dimensions mm				
	Full complement type	Caged type		d	D	C	r ⁽¹⁾ min	J
110	—	NAU 4922UU	1 930	110	150	40	1.5	123
<i>E_w</i>	Basic dynamic load rating C	Basic static load rating C ₀	Allowable rotational speed ⁽²⁾					
138.5	N	N	rpm	113 000	200 000	1 600		

Notes^(*) Minimum allowable value of chamfer dimension r
⁽¹⁾ Allowable rotational speed applies to grease lubrication. Considering that the axial load acts under practical operating conditions, up to 1/10 of this value is recommended for actual use.
 Remarks: 1. The NAU and NAU series with a bore diameter, d, of 17 mm or less have no oil hole. In others, the outer ring has an oil groove and two oil holes.
 2. The bearings with seals are provided with prepacked grease.

CARACTÉRISTIQUES PRODUIT

Marque	IKO
N° Ean13	3663952386645
Diam. intérieur	110 mm
Diam. extérieur	150 mm
Épaisseur	40 mm
Conditionnement	1

contact@123roulement.be

02 808 18 02

CRT4 de Lesquin 60 Rue Du Haut De Sainghin 59273 Fretin FRANCE