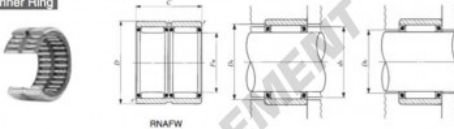


Roulement à aiguilles RNAFW253732-IKO - RNAFW253732-IKO

<https://www.123roulement.be/roulement-palier/roulement-aiguilles/aiguilles/rnafw253732-iko>

IKO
NEEDLE ROLLER BEARINGS WITH SEPARABLE CAGE
Without inner Ring



Shaft dia. mm	Identification number	Mass (Ref.) g	Boundary dimensions mm				Standard mounting dimensions mm			Basic dynamic load rating C N	Basic static load rating C ₀ N
			F ₀	D	C	r ⁽¹⁾ r _{s min}	d _b	D _s Max.	D _b		
25	RNAFW 253732	114	25	37	32	0.3	30.4	35	25.6	33 200	49 000

Allowable rotational speed⁽²⁾
rpm
20 000

Notes⁽¹⁾ Minimum allowable value of chamfer dimension r.
⁽²⁾ Allowable rotational speed applies to grease lubrication.
Remark: This roller ring has an oil groove and an oil hole.
2. Bearings with seals on both sides are provided with prepacked grease. Bearings with a seal on one side are not provided with prepacked grease. Perform proper lubrication for use.

CARACTÉRISTIQUES PRODUIT

Marque	IKO
N° Ean13	3663952383965
Diam. intérieur	25 mm
Diam. extérieur	37 mm
Épaisseur	32 mm
Conditionnement	1

contact@123roulement.be

02 808 18 02

CRT4 de Lesquin 60 Rue Du Haut De Sainghin 59273 Fretin FRANCE